

# Data Sheet

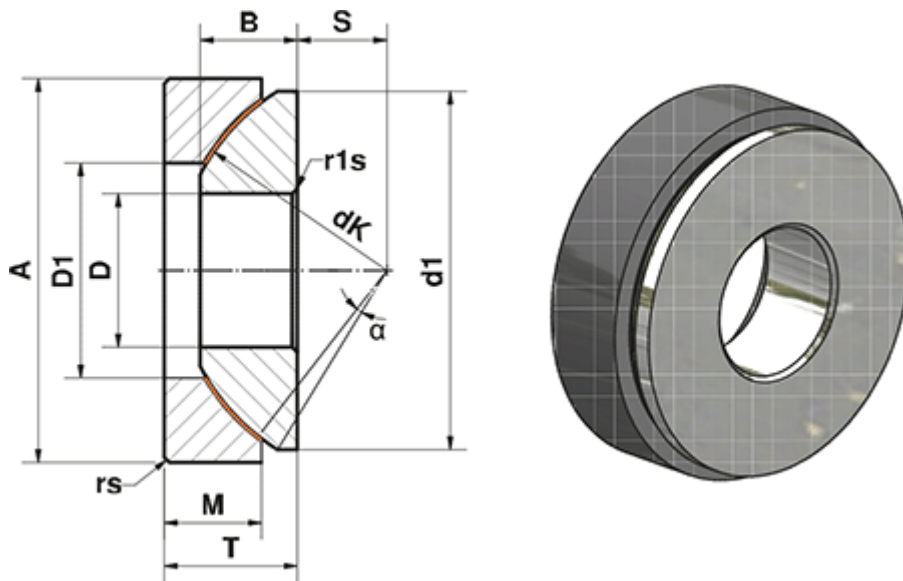


Article number: 03450020

Description: Fluro Heavy Duty Spherical Plain Bearing GE 20 AWE  
Hole  $\varnothing$ 20

Note: 20

## Measures



A	= 55	M	= 13.8
a (degrees)	= 5	rs, r1s min	= 1
B	= 14.5	S	= 12.5
D	= 20	Static load C0 (kN)	= 410
D1	= 34	T	= 20
d1 min	= 50	Weight (g)	= 246
dK	= 60		
Dynamic load C (kN)	= 246		